



TEMPESTA 2[®]

LAMP COMPARTMENT
IP 65



DIE CAST ALUMINIUM FLOODLIGHT WITH INTEGRAL CONTROL GEAR

RANGE

The TEMPESTA 2[®] floodlight incorporates many advanced features, resulting in a product with high reliability and efficiency. Models are available to accommodate 150W/250W/400W HPS, 250W/400W MBI and 250W MBF lamps.

APPLICATIONS

For medium to large size areas where long duration of round the clock floodlighting is required i.e. sport fields, large car parks, building sites, general storage areas etc.

CONSTRUCTION

Aesthetically pleasing die-cast aluminium alloy body, incorporating a thermally separated lamp and control gear compartments. The front cover is formed of durable, toughened glass mounted into a die-cast aluminium frame. The body and frame are finished in electrostatically applied black polyester paint producing a very durable finish. The control gear cover is made of black injection moulded impact and heat resistant polycarbonate and, an extremely efficient silicon gasket provides IP 65 ingress protection. The gear tray is made of zinc coated steel sheet and the control gear module is easily removable from the gear compartment for an easy maintenance. Lamp changing is via two screws on the frame. The heavy guage steel bracket has an incorporated aiming device. The reflector is made of high purity anodized aluminium in order to maximize light output. All external screws are made of stainless steel .

ELECTRICAL

The control gear box is provided with a compression type cable gland and a 3-way terminal block. High temperature silicon insulated conductors are used throughout.

MECHANICAL

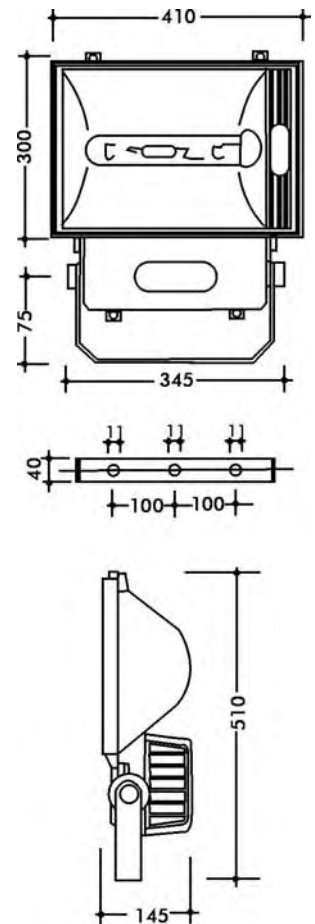
Mounting is via a painted steel bracket which is provided .

ACCESSORIES

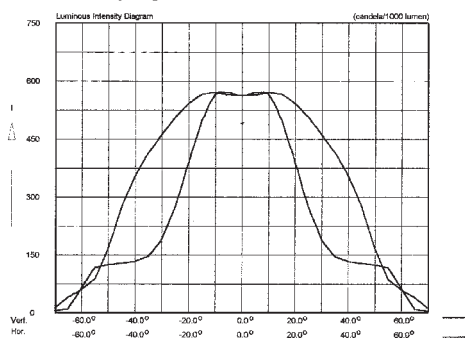
Wire guard: A steel wire guard is available to protect the glass cover from impact damage .

SPECIFICATION

Designed in accordance with the following Standards: CEI 34-21 and EN60598-1.

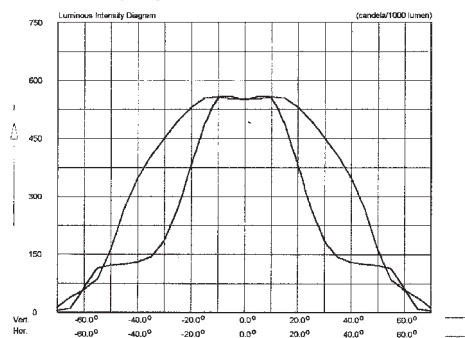


Cartesian Intensity Diagram



250 W MBI-T

Cartesian Intensity Diagram



400 W MBI-T

ORDERING DATA

| CODE N° | LAMP | LAMP HOLDER | WEIGHT KG |
|---------|-------------------|-------------|-----------|
| NX 4104 | E40 Empty | E40 | 5,30 |
| NX 4105 | 150 W HPS | E40 | 9,20 |
| NX 4106 | 250 W HPS | E40 | 10,00 |
| NX 4107 | 400 W HPS | E40 | 11,70 |
| NX 4108 | 250 W MBI | E40 | 9,20 |
| NX 4114 | 400 W MBI 4.20 A. | E40 | 10,00 |
| NX 4109 | 400 W MBI 3.40 A. | E40 | 10,00 |
| NX 4110 | 250 W MBF | E40 | 10,40 |