



MARS 2®

LAMP COMPARTMENT
IP 65



A HIGH PERFORMANCE DIE CAST ALUMINIUM FITTING WITH INTEGRAL CONTROL GEAR

RANGE

Mars 2® is a high performance luminaire with a special optical design that gives exceptionally low glare and allows mounting heights up to 10 meters. Suitable for 150W/250W/400W HPS, 250W/400W MBI and 250W MBF lamps.

APPLICATIONS

For medium to large size areas where long duration of round the clock floodlighting is required, i.e. sport fields, large car parks, building sites, general storage areas etc.

CONSTRUCTION

The robust construction of Mars 2® is provided by a die-cast aluminium alloy body with two stainless steel hooks which keep the framed toughened glass hinged to the body. The lamp and control gear compartments are thermally separated. The body and frame are finished in a special electrostatically applied metallic grey special polyester paint with UV protection. The control gear cover is made of black injection moulded impact and heat resistant polycarbonate and, an extremely efficient silicon gasket provides ingress protection IP 65. The gear tray is made of zinc coated steel sheet and the control gear module is easily removable from the gear compartment for easy maintenance. Tool free entry for lamp change is via two quick release stainless steel clips. The reflector is made of high purity anodized aluminium with a special optical design giving high performance light control. All external clips are made of stainless steel.

ELECTRICAL

The control gear box is provided with a compression type cable gland and a 3-way terminal block. High temperature silicon insulated conductors are used throughout.

MECHANICAL

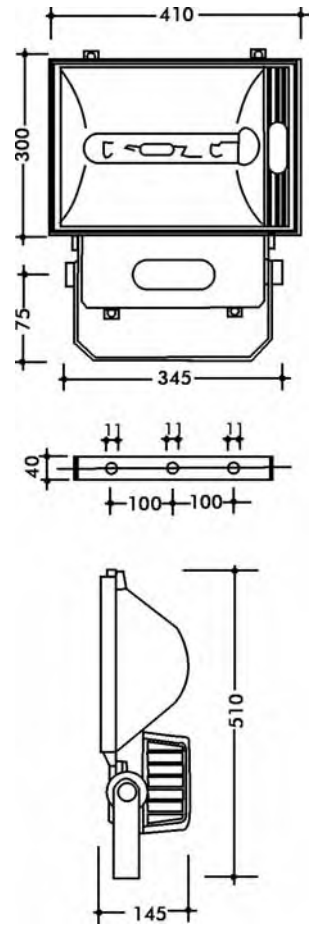
Mounting is via a heavy gauge steel bracket which comes with an incorporated aiming device.

ACCESSORIES

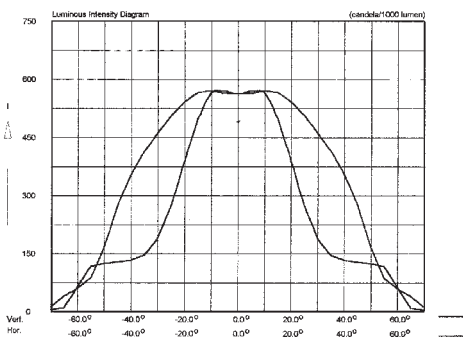
Wire guard: A steel wire guard is available to protect the glass cover from impact damage.

SPECIFICATION

Designed in accordance with the following Standards: CEI 34-21 and EN60598-1.

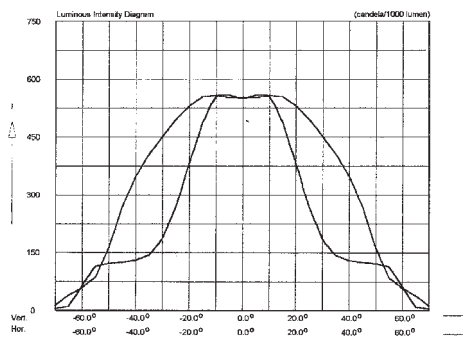


Cartesian Intensity Diagram



250 W MBI-T

Cartesian Intensity Diagram



400 W MBI-T

ORDERING DATA

CODE N°	LAMP	LAMP HOLDER	WEIGHT
NX 3180	EMPTY	E40	5,30
NX 3384	150 W HPS	E40	9,20
NX 3394	250 W HPS	E40	10,00
NX 3385	400 W HPS	E40	12,00
NX 3381	250 W MBI	E40	9,20
NX 3395	400 W MBI - 4,20 A	E40	10,00
NX 3361	400 W MBI - 3,40 A	E40	10,00
NX 3391	250 W MBF	E40	10,50
NX 3306	WIRE GUARD		0,50