





RANGE

Compact corrosion resistant, weather proof IP 65 flood light with integral gear tray for use with 70W HPS, 70W/150W HQI and 80W MBF lamps.

APPLICATION

Azar[®] is an ENERGY SAVING floodlight which uses 75% less energy than traditional tungsten halogen lamps with more than five times longer lamp life. Azar[®] is particularly suitable for applications involving long periods of operation i.e. security lighting, flood lighting of buildings, shop signs, restaurants, monuments and car parks. This fitting is highly recommended for the sites near the sea.

CONSTRUCTION

The construction is made of injection moulded high quality, impact resistant self-coloured black or grey (RAL 7035) polycarbonate. The reflector is of anodized high grade dimpled aluminium to give an efficient wide beam. The protective front cover is toughened glass mounted directly on to the body. The body houses a special gasket to provide IP 65 degree of protection.

ELECTRICAL

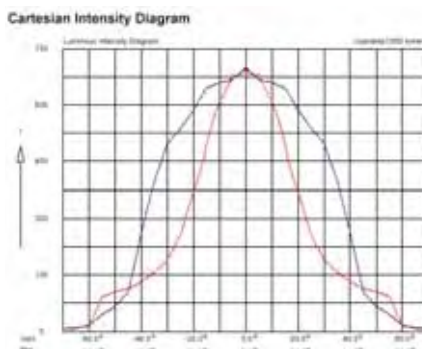
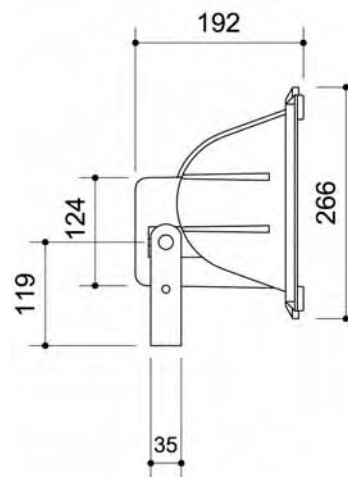
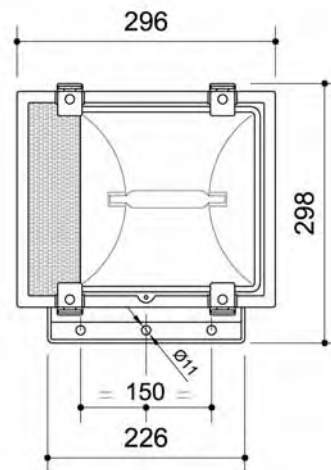
Ballast and components are mounted on an easy to remove zinc coated steel gear tray. The flood light is provided by a PG 11 compression type cable gland. High temperature silicon insulated conductors are used throughout.

MECHANICAL

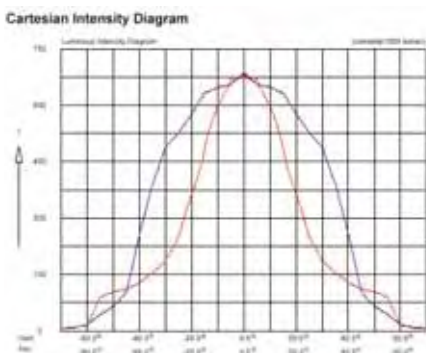
Mounting is via a painted steel bracket, provided .

SPECIFICATION

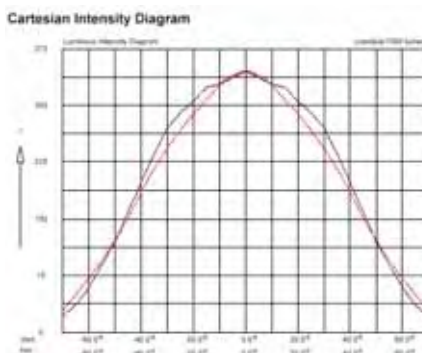
Designed in accordance to the following Standards: CEI 34 -21, and EN60598-1



70 W HQI - R7S



70 W HPS



70 W MBI - E27

ORDERING DATA				
CODE N°		LAMP	LAMP HOLDER	WEIGHT KG
BLACK	GREY			
NX 3610	NX 3650	EMPTY	R7S-70	1,80
NX 3640	NX 3680	EMPTY	R7S-150	1,80
NX 3620	NX 3660	EMPTY	E27	1,80
NX 3631	NX 3671	70 W HPS w/o ignitor	E27	3,40
NX 3628	NX 3668	70 W HPS c/w ignitor	E27	3,40
NX 3612	NX 3652	70 W HQI	R7S	3,50
NX 3642	NX 3682	150 W HQI	R7S	3,50
NX 3636	NX 3676	80 W MBF	E27	3,40