

# ARIAN 2<sup>®</sup>

LAMP COMPARTMENT  
IP 65



A DIE-CAST ALUMINIUM FLOODLIGHT WITH INTEGRAL CONTROL GEAR

## RANGE

A comprehensive range of attractive floodlights with integral control gear for use with 70W HPS and 70W/150W HQI lamps.

## APPLICATIONS

Arian 2<sup>®</sup> is ideal for small and medium size applications. It has the benefit of being an ENERGY SAVING floodlight, and uses 70% less energy than traditional tungsten models, with more than five times longer lamp life. This makes it an ideal floodlight for applications involving long operation periods such as: security lighting, car parks, storage areas, floodlighting of buildings and monuments.

## CONSTRUCTION

The body and frame are made of die-cast aluminium with an electrostatically applied special metallic grey polyester paint with UV protection, to protect it against corrosion. The reflector is anodized high grade dimpled aluminium which produces an efficient wide beam. The glass is set inside the frame; and the frame is attached to the body via two stainless steel hooks. A silicon rubber sealing gasket provides an ingress protection of IP 65. All external clips are made of stainless steel.

## ELECTRICAL

The control gear box is provided with a compression type PG 11 cable gland and a 3-way terminal block. The gear tray is made of zinc coated steel sheet and can be easily accessed. High temperature silicon insulated conductors are used throughout.

## MECHANICAL

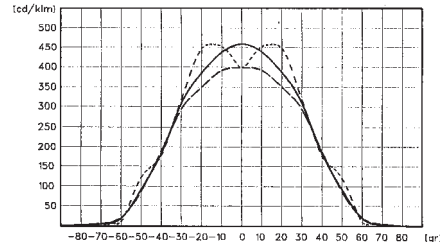
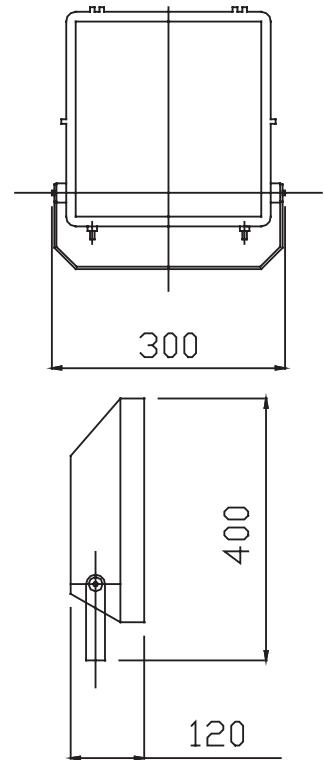
A galvanized stirrup helps to easily position the fitting on different types of surfaces.

## ACCESSORIES

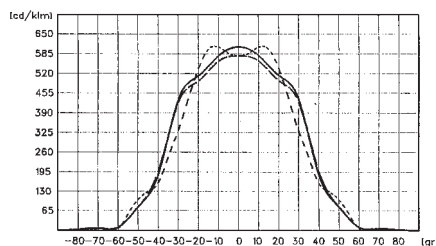
Wire guard: A steel wire guard is available to protect the glass cover from impact damage.

## SPECIFICATION

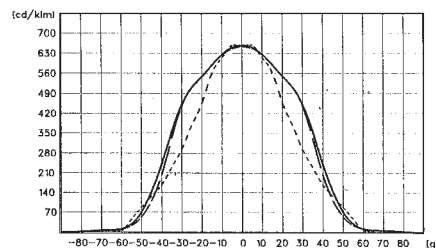
Designed in accordance with the following Standards: CEI 34-21 and EN60598-1.



70 W HPS-T



70 W MBI-T



150 W MBI-T

## ORDERING DATA

CODE N°	LAMP	LAMP HOLDER	WEIGHT
NX 3040	EMPTY	R7s/70	3,50
NX 3050	EMPTY	R7s/150	3,50
NX 3060	EMPTY	E27	3,50
NX 3222	70 W HQI	R7s	5,10
NX 3224	150 W HQI	R7s	6,10
NX 3261	70 W HPS w/o ignitor	E27	5,20
NX 3262	70 W HPS c/w ignitor	E27	5,30
NX 3206	WIRE GUARD		0,50