





# POLARIS®

HIGH BAY LUMINAIRES

LAMP COMPARTMENT  
**IP 20**  
 LAMP COMPARTMENT  
 with item NX 5001  
**IP 55**   
 ELECTRIC COMPARTMENT  
**IP 44** 

## RANGE

Polaris® is suitable for use with a wide range of energy saving HID lamps including 150W/250W/400W HPS, 250W/400W MBI and MBF lamps.

## APPLICATIONS

Our high bay luminaires are the answer when large areas need to be illuminated from heights exceeding 5 meters i.e. DIY, furniture warehouses, storage, factories, mills, foundries, processing plants, aircraft hangars, bus depots, steelworks, indoor sport arenas etc.

## CONSTRUCTION

The gear compartment is formed of heavy gauge zinc coated sheet steel. Control gear is mounted on a die-cast aluminium gear tray which can be easily accessed for maintenance. The lampholder is attached under the die-cast aluminium gear tray, therefore when maintenance is required all electrical components are easily accessible. The high purity aluminium reflector has a top vent which induces a convective self cleaning effect which minimizes dirt build up on the inside surface of the reflector. For extra protection a polycarbonate refractor can be used.

## ELECTRICAL

Control gear is rated 230V or 240V 50Hz as standard. HPS and MBI circuits are fitted with superimposed pulse electronic ignitors as standard, minimizing the possibility of ballast failure in prolonged operation with a failed lamp inserted. A three pole terminal block for mains connection is provided. High temperature silicon insulated conductors are used throughout.

## MECHANICAL

A suspension hook is supplied, this locates on the top of the gear housing. A grommeted entry hole is also provided.

## ACCESSORIES

Polycarbonate Refractor: may be used for extra protection.

Wire guard: a steel wire guard is available to protect the lamp from impact damage, it can be used in conjunction with the glass cover for extra protection.

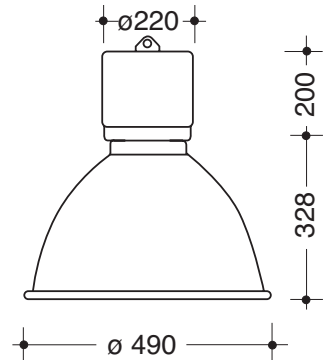
Tempered glass: the manufacturer of some multi-vapour lamps recommend that a tempered glass cover be fitted to protect against fragments should a lamp fracture.

Drop Dish Prismatic Lens: the drop dish can be used to soften and disburse light thus minimizing glare and maximizing visual comfort. Note that this accessory must be used only with Polaris faceted reflector and elliptical lamp.

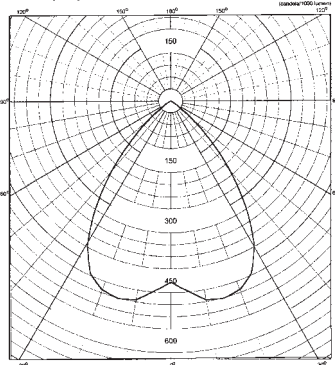
Anti black-out lamp sensor: an electronic sensor detects a failed or extinguished lamp due to mains interruption induced restrike delay. An integral auxiliary lamp is switched on to provide safety illumination. When the main lamp is on, the auxiliary is automatically switched off.

## SPECIFICATION

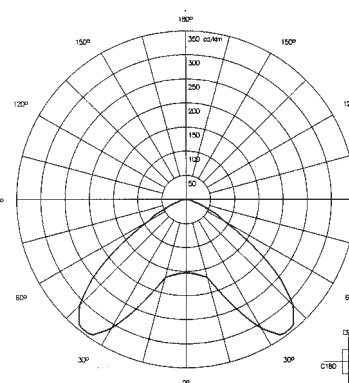
Designed in accordance with the following Standards: IEC 598 - CEI 34-21.



Polar Intensity Diagram

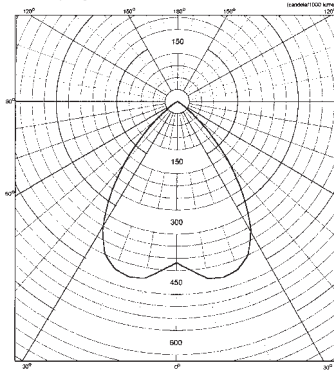


400 W MBF  
SMOOTH ALLUMINIUM REFLECTOR



400W HPS-E  
FACETTED ALUMINIUM

Polar Intensity Diagram



400 W MBI  
SMOOTH ALLUMINIUM REFLECTOR

## ORDERING DATA

CODE N°			LAMP	LAMP HOLDER	WEIGHT KG	
ALUM. SMOOTH	ALUM. FACETTED	POLYCARBONATE			ALUM.	PC
NX 5510	NX 5513	NX 5512	EMPTY	E40	5,80	7,40
NX 5532	NX 5535	NX 5534	150W HPS	E40	8,80	10,40
NX 5542	NX 5545	NX 5544	250W HPS	E40	9,30	10,40
NX 5562	NX 5565	NX 5564	400W HPS	E40	11,10	12,70
NX 5551	NX 5555	NX 5554	250W MBI	E40	9,20	10,80
NX 5552	NX 5575	NX 5574	400W MBI 4,20A	E40	11,30	12,90
NX 5586	NX 5609	NX 5608	400W MBI 3,40A	E40	11,30	12,90
NX 5572	NX 5585	NX 5584	250W MBF	E40	8,90	10,50
NX 5582	NX 5595	NX 5594	400W MBF	E40	10,30	11,90
	NX 5001		TEMPERED GLASS		2,20	
	NX 5003		PC DROP DISH		1,70	
	NX 5002		WIRE GUARD		1,30	

