



# LUNET®

MINI HIGH-BAY

LAMP COMPARTMENT  
IP 23



## RANGE:

The LUNET luminaires are suitable for use with a wide range of HID lamps including 70W/150W MBI and 70W HPS and 80W/125W MBF lamps.

## APPLICATIONS:

LUNET is suitable for shops, boutiques, restaurants, and DIV shops.

## CONSTRUCTION:

The body is made of extruded aluminium and finished in durable powder coated polyester black colour paint. The top cover is made of die-cast aluminium and finished in durable powder coated polyester black colour paint. The E27 lampholder is fixed on the body and it is housed in a injection moulded polycarbonate shell.

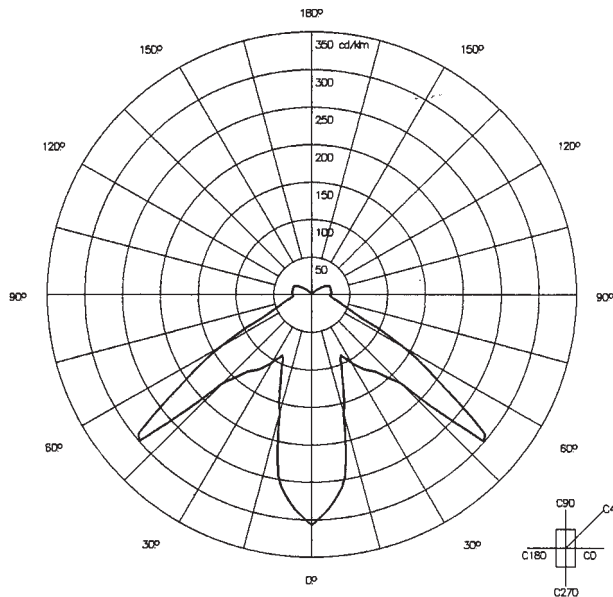
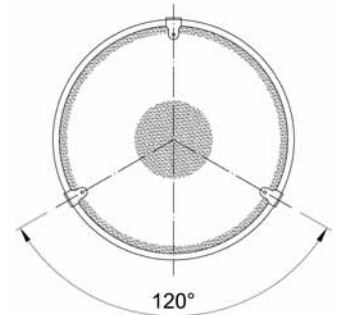
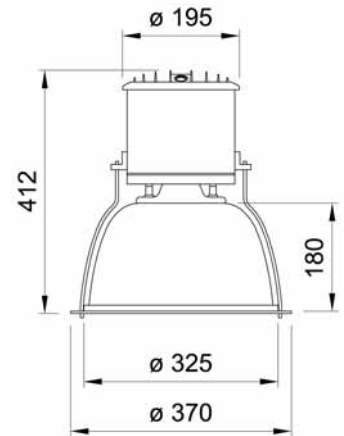
The deflector is made of clear UV resistance polycarbonate. The deflector could also be supplied with tempered protective glass fixed to the body by Nickel Chrome plated steel hooks, in this case a special silicon rubber gasket is used between the glass and the deflector.

## ELECTRICAL:

The zinc coated gear tray is supplied with a three poles terminal block. High temperature silicon insulated conductors are used throughout.

## SPECIFICATION:

Designed according to the relevant European standards.



MBI 150W

## ORDERING DATA

CODE N°	LAMP	LAMP HOLDER	WEIGHT KG
NX 5470	EMPTY	E27	3,90
NX 5472	70 W HPS c/w ignitor	E27	6,10
NX 5474	70 W HPS w/o ignitor	E27	6,05
NX 5475	70 W MBI	E27	6,10
NX 5479	100 W MBI	E27	7,10
NX 5476	150 W MBI	E27	7,20
NX 5477	80 W MBF	E27	6,05
NX 5478	125 W MBF	E27	6,20
NX 5401	TEMPERED GLASS		1,80